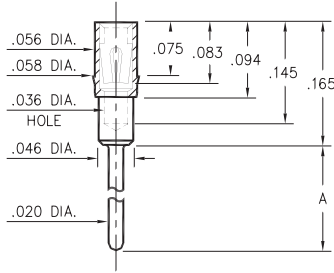


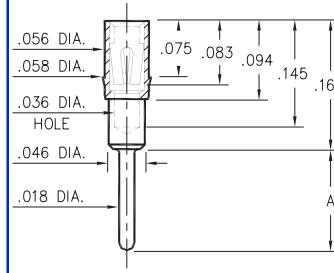
1802/3802/4030/8866



Basic Part Number	Length A
1802-0	.125
3802-0	.165
8866-0	.775
4030-0	.815

XXXX-0-15-XX-43-XX-04-0
Press-fit in .057 mounting hole

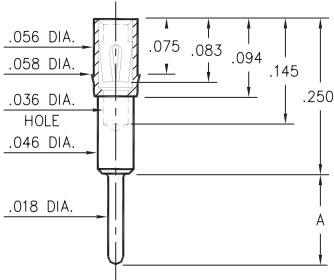
1803/1805



Basic Part Number	Length A
1803-0	.145
1805-0	.213

180X-0-15-XX-43-XX-04-0
Press-fit in .057 mounting hole

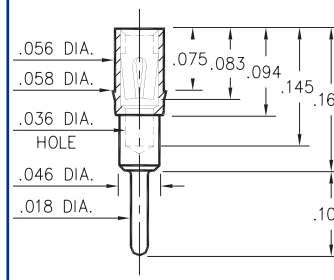
1804/1806



Basic Part Number	Length A
1804-0	.080
1806-0	.115

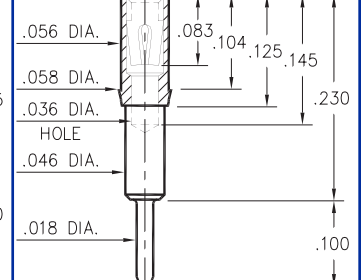
180X-0-15-XX-43-XX-04-0
Press-fit in .057 mounting hole

1808



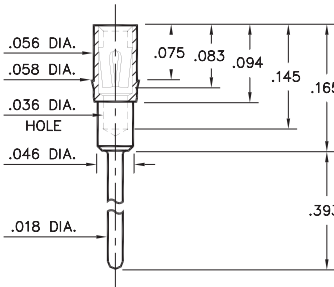
1808-0-15-XX-43-XX-04-0
Press-fit in .057 mounting hole

1807



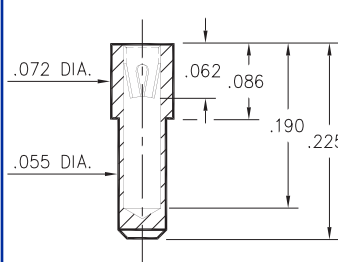
1807-0-15-XX-43-XX-04-0
Press-fit in .057 mounting hole

3805



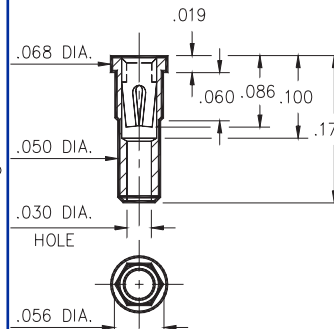
3805-0-15-XX-43-XX-04-0
Press-fit in .057 mounting hole

8830



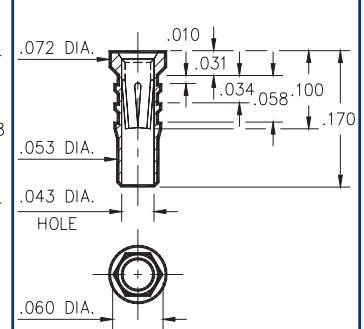
8830-0-15-XX-22-XX-10-0
Solder mount in .057 min. mounting hole

4622



4622-0-15-XX-30-XX-10-0
Hex press-fit in .053 plated thru hole

6252



6252-0-15-XX-32-XX-10-0
Hex press-fit in .057 plated thru hole

SPECIFICATIONS

SHELL MATERIAL:
Brass Alloy 360, 1/2 Hard

CONTACT MATERIAL:
Beryllium Copper Alloy 172, HT

DIMENSION IN INCHES
TOLERANCES ON:
LENGTHS: ±.005
DIAMETERS: ±.002
ANGLES: ± 2°

ORDER CODE: XXXX - 0 - 1X - XX - XX - XX - XX - 0

BASIC PART #

SPECIFY SHELL FINISH:
01 200µ" TIN/LEAD OVER NICKEL
80 200µ" TIN OVER NICKEL ◊
15 10µ" GOLD OVER NICKEL ◊

SPECIFY CONTACT FINISH:
02 100µ" TIN/LEAD OVER NICKEL
84 100µ" TIN OVER NICKEL ◊
27 30µ" GOLD OVER NICKEL ◊

SELECT CONTACT

#22, #30, #32, or #43 CONTACT (DATA ON PAGE 207, 208 & 209)

